

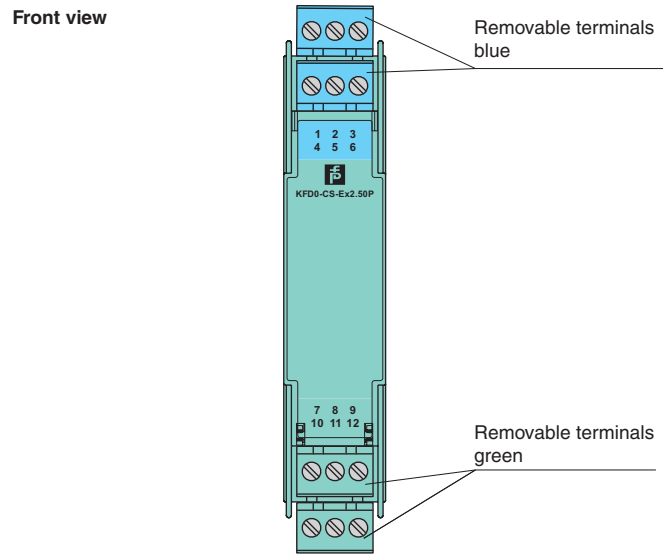
Features

- 2-channel isolated barrier
- 24 V DC supply (loop powered)
- Current input/output 4 mA ... 20 mA
- transmitter power supply
- Accuracy 0.1 %
- Reverse polarity protection
- Up to SIL2 acc. to IEC 61508

Function

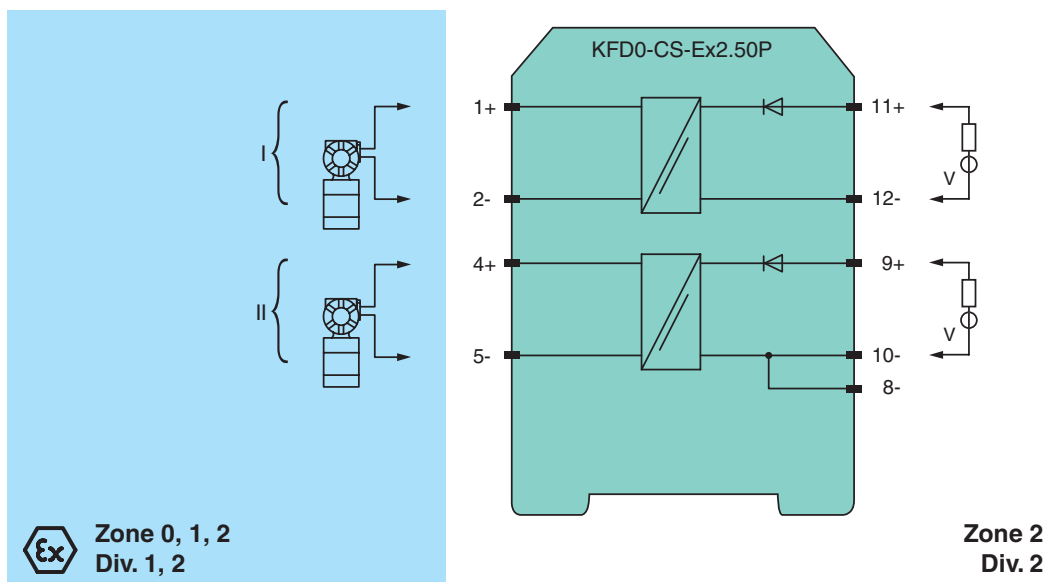
This isolated barrier is used for intrinsic safety applications. The device can be used as a repeater or transmitter power supply for 2-wire transmitters. This device is loop powered. No additional power supply has to be connected. Use the technical data to verify that proper voltage is available to the field devices.

Assembly



SIL2

Connection



Release date 2013-07-26 13:19 Date of issue 2014-02-12 072145_eng.xml

Refer to "General Notes Relating to Pepperl+Fuchs Product Information".

Pepperl+Fuchs Group
www.pepperl-fuchs.com

USA: +1 330 486 0002
pa-info@us.pepperl-fuchs.com

Germany: +49 621 776 2222
pa-info@de.pepperl-fuchs.com

Singapore: +65 6779 9091
pa-info@sg.pepperl-fuchs.com

General specifications		
Signal type		Analog input
Supply		
Rated voltage		loop powered
Control circuit		
Connection		terminals 12-, 11+; 8-, 10-, 9+
Voltage		5 ... 35 V DC
Current		4 ... 20 mA
Power loss		at 20 mA and $U_{in} < 24.3 \text{ V}$: < 250 mW per channel at 20 mA and $U_{in} > 24.3 \text{ V}$: < 500 mW per channel
Field circuit		
Connection		terminals 1+, 2-; 4+, 5-
Voltage		for $5 \text{ V} < U_{in} < 24.3 \text{ V}$: $\geq 0.9 \times U_{in} - (0.37 \times \text{current in mA}) - 1.0$ for $U_{in} > 24.3 \text{ V}$: $\geq 21 \text{ V} - (0.36 \times \text{current in mA})$
Short-circuit current		at $U_{in} > 24.3 \text{ V}$: $\leq 65 \text{ mA}$
Transfer current		$\leq 40 \text{ mA}$
Transfer characteristics		
Deviation		
After calibration		$\leq \pm 20 \mu\text{A}$; incl. calibration, linearity, hysteresis and load fluctuations at the output up to a load of 1 k Ω at 20 °C (68 °F)
Rise time		$\leq 5 \text{ ms}$ at bounce from 4 ... 20 mA and $U_{in} < 24 \text{ V}$
Electrical isolation		
Field circuit/control circuit		safe electrical isolation acc. to IEC/EN 60079-11, voltage peak value 375 V
Directive conformity		
Electromagnetic compatibility		
Directive 2004/108/EC		EN 61326-1:2006
Conformity		
Electromagnetic compatibility		NE 21:2006
Protection degree		IEC 60529:2001
Protection against electrical shock		UL 61010-1
Ambient conditions		
Ambient temperature		-20 ... 60 °C (-4 ... 140 °F)
Mechanical specifications		
Protection degree		IP20
Mass		approx. 100 g
Dimensions		20 x 107 x 115 mm (0.8 x 4.2 x 4.5 in) , housing type B1
Mounting		on 35 mm DIN mounting rail acc. to EN 60715:2001
Data for application in connection with Ex-areas		
EC-Type Examination Certificate		BAS 98 ATEX 7343 , for additional certificates see www.pepperl-fuchs.com
Group, category, type of protection		Ex II (1)G [Ex ia Ga] IIC, II (1)D [Ex ia Da] IIIC, I (M1) [Ex ia Ma] I (-20 °C $\leq T_{amb} \leq 60$ °C)
Voltage	U_o	25.2 V
Current	I_o	93 mA
Power	P_o	585 mW
Control circuit		
Maximum safe voltage	U_m	250 V $_{eff}$ (Attention! The rated voltage can be lower.)
Field circuit		
Maximum safe voltage	U_m	250 V $_{eff}$ (Attention! The rated voltage can be lower.)
Statement of conformity		
Group, category, type of protection, temperature class		Ex II 3G Ex nA II T4 [device in zone 2]
Electrical isolation		
Field circuit/control circuit		safe electrical isolation acc. to IEC/EN 60079-11, voltage peak value 375 V
Directive conformity		
Directive 94/9/EC		EN 60079-0:2009, EN 60079-11:2007, EN60079-15:2005
International approvals		
FM approval		
Control drawing		116-0129
UL approval		
Control drawing		116-0173 (cULus)
IECEx approval		
Approved for		[Zone 0] [Ex ia] IIC, [Ex iaD], [Ex ia] I
General information		
Supplementary information		EC-Type Examination Certificate, Statement of Conformity, Declaration of Conformity, Attestation of Conformity and instructions have to be observed where applicable. For information see www.pepperl-fuchs.com .

Release date 2013-07-26 13:19 Date of issue 2014-02-12 072145_eng.xml

Refer to "General Notes Relating to Pepperl+Fuchs Product Information".

Pepperl+Fuchs Group
www.pepperl-fuchs.com

USA: +1 330 486 0002
pa-info@us.pepperl-fuchs.com

Germany: +49 621 776 2222
pa-info@de.pepperl-fuchs.com

Singapore: +65 6779 9091
pa-info@sg.pepperl-fuchs.com